

**17325UK2**

**Upgrade Kit to Convert NA-5DMKIII  
for use with Canon 5DIV Camera**

Instruction Manual

**FOREWORD**

Thank you for your purchase of a NAUTICAM product.

At NAUTICAM, we pride ourselves in the ability to recognize the requirements of professional as well as amateur underwater photographers and fulfill them through the innovative designs of our products. We strive to achieve a high level of user-friendliness by allowing stress-free installation and easy operation of all important functions of the camera.

Please read this manual carefully before using the product, this will maximize its performance as well as its lifetime.

Please noted that this upgrade kit is **SERVICE CENTER INSTALL ONLY**. Fine adjustment might require due to production variation on 5DIV cameras.

**WARRANTY**

All NAUTICAM Products are warranted against any material and manufacturing defects for two years from the date of purchase for consumer use. This warranty only applies to products purchased from authorized NAUTICAM dealers and does not extend beyond the original retail purchaser.

To return your product for service, please contact your regional authorized service center(s). Please note that this warranty only applies when the product is purchased in the territory where the service center is located.

NAUTICAM does not hold responsibility for damage, of any nature, to any equipment used with and/or placed within our products.

NAUTICAM accepts no liability for any loss of captured images or the inability to capture images even if it is due to the malfunctioning of our products.

Unauthorized modifications and/or repairs of our products will automatically invalidate the warranty.

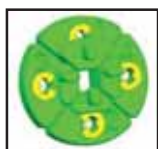
**IDENTIFICATION OF PARTS**



Camera tray for 5DIV



Camera support block for 5DIV



Multi controller for 5DIV



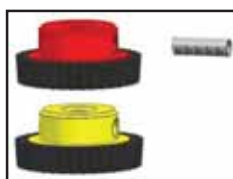
LV/Movie selector for 5DIV



Rubber tip for buttons (4x)

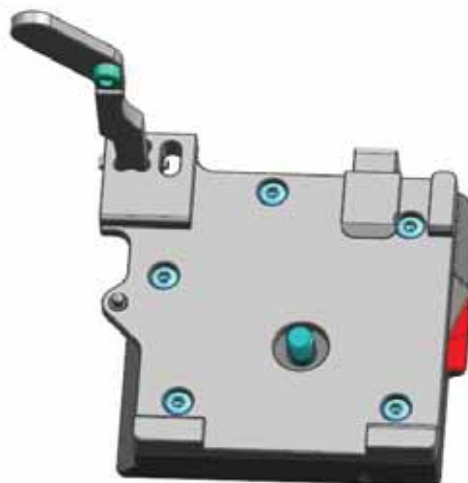


On/off switch for 5DIV



Larger mode dial drive gears for 5DIV

**CAMERA TRAY**



The alignment pin on the NA-5DMKIII camera tray does not match with 5DmkIV camera. A new camera tray is required.

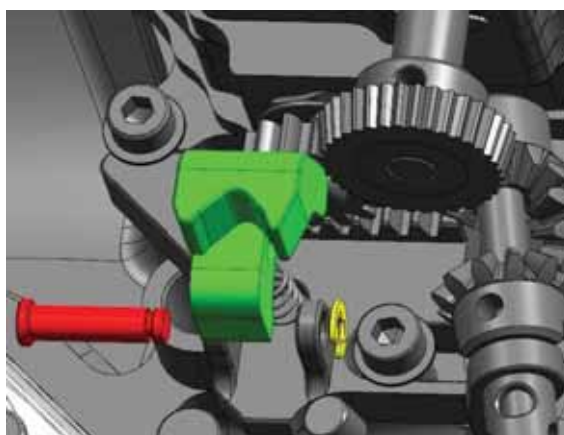
**CAMERA SUPPORT BLOCK**



A new camera support is added to avoid camera being pushed forward.

**ON/OFF SWITCH**

On/off switch will not work when camera and housing is mis-matched. (i.e. camera in off position, housing in on position).



To replace the part, remove the c-clip as indicated above, replace the on/off switch with the part provided.

--- continue on next page ---

--- continued from front page ---

### MODE DIAL



The mode dial might be slipping and a large size drive gear is needed.

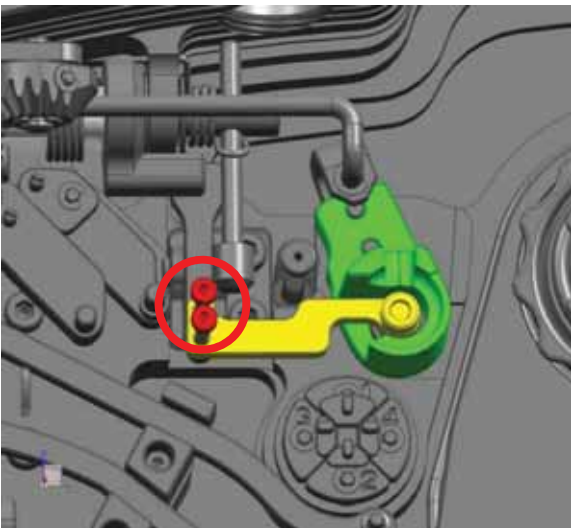


Two size drive gears are supplied for adjustment. The red one is slightly smaller than the yellow. Locate and remove the spring pin from the shaft and replace the gear.

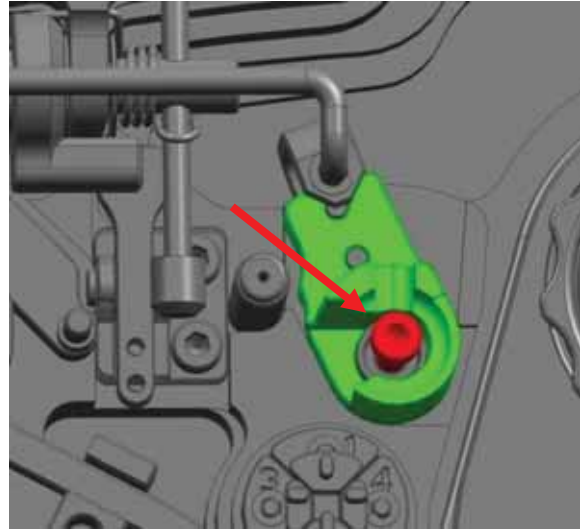
### LIVEVIEW SHOOTING/ MOVIE SHOOTING SELECTOR



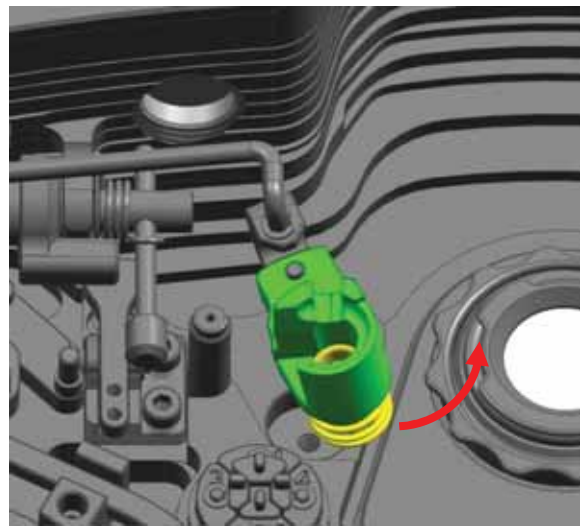
The LV/Movie selector does not engage with the camera, a new profile part is required.



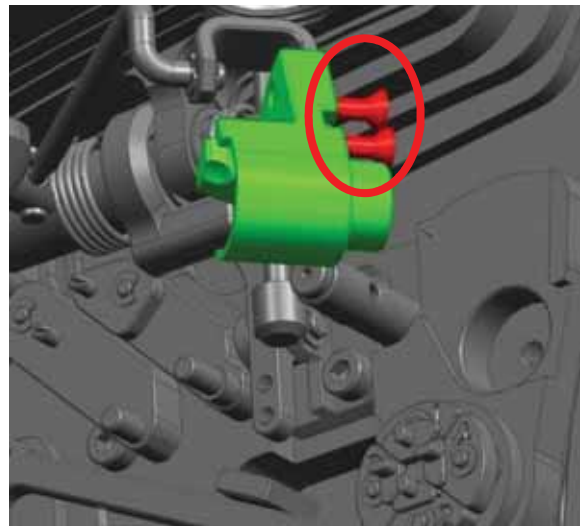
To replace the part, remove the button of the Start/Stop Lever by removing the two screws as indicated.



Unscrew the screw holding the LV/Movie selector part.



Move the LV/Movie selector part to the side. Be careful not to lose the spring underneath.



Replace the part by unscrewing the two screws as indicated. Reverse the above steps to install back the LV/Movie selector and the Start/Stop lever.

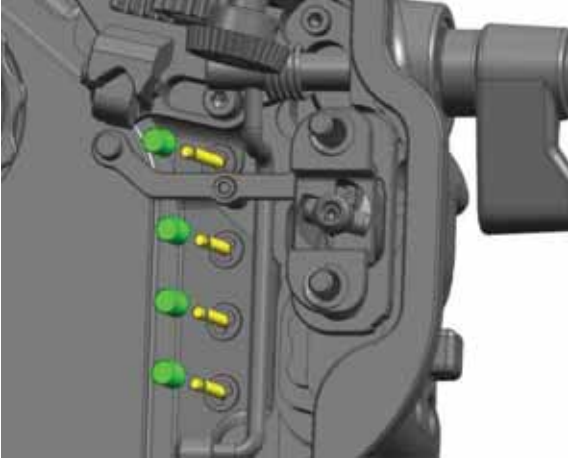
--- continue on next page ---

--- continued from front page ---

### RUBBER TIP FOR BUTTONS

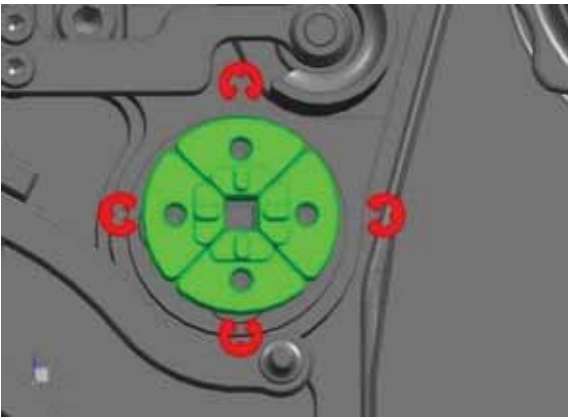
The rubber tips of the following four buttons are required to replace with the supplied soft rubber tips.

- 1) Menu button
- 2) Creative photo button
- 3) Rating button
- 4) Index/Magnify/Reduce button

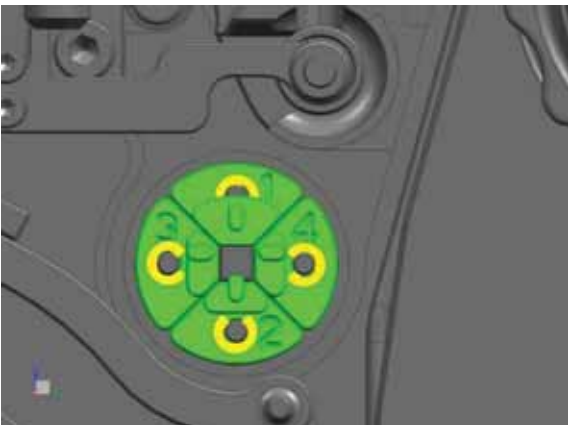


### MULTI CONTROLLER

The position of the joystick of the 5DIV camera is slightly higher than that of 5DmkIII camera, a new set of buttons are required for NA-5DMKII housing.



Remove the four buttons by removing the c-clips. Do not reuse these c-clip, extra c-clips are provided.



Install the supplied buttons as indicated and secure with the c-clips provided. Extra c-clips are provided.

### SPECIFICATIONS

Compatible Housings:	Nauticam NA-5DMKIII #17305, #17315, #17317
Compatible Cameras*:	Canon EOS 5Dmk IV

*\*5DmkIII, 5DS, 5DSR with the upgrade kit installed - Mostly functional, but due to camera variables, there may be minor reduction of optimal control function in some instances especially the multi controller. Require NA-5DMKIII camera tray.*